

Polarization Maintaining 1550nm Fiber -Coupled Acousto-Optic Modulator (AOM Series)



The Polarization Maintaining Fiber-Coupled Acousto-Optic Modulator is designed for use in pulsed fiber laser amplifier systems and as a pulse picker for short pulse, high rep rate fiber laser **Specifications**

Parameter	Unit	Value
Interaction material		Tellurium dioxide
Signal Wavelength (λ_c)	nm	1550
Operating Wavelength Range	nm	± 30
Frequency	Mhz	150
Max. Insertion Loss	dB	3.5
Min. Polarization Extinction Ratio	dB	20
Max. Rise-Time/Fall-Time(10%-90%)	ns	20
Min. Extinction Ratio(Turn On/Off)	dB	45
Max. Voltage Standing Wave Ratio(VSWR)		1.5:1
Frequency Shift	Mhz	150(UpShift)
Max. Average Optical Power	mW	500(Other Power Available On Request)
Peak Power	kW	1
Input impedance	Ω	50
Max. RF Power	W	2.5
Fiber Type		PM1550
Operating Temperature	$^{\circ}\text{C}$	-10 to +65
Storage Temperature	$^{\circ}\text{C}$	-20 to +70

Remark:

*IL is 0.2-0.3dB higher, RL is 5 dB lower, and ER is 2 dB lower for each connector added.

Connector key is aligned to slow axis.

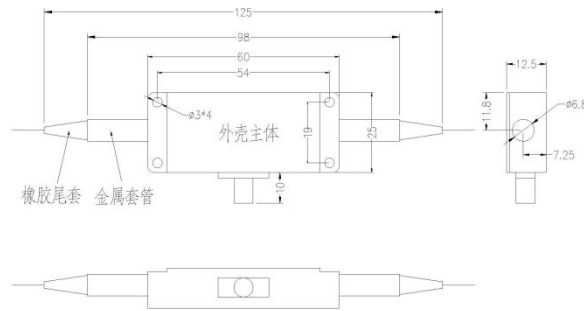
Tel: +86 027 -

Website

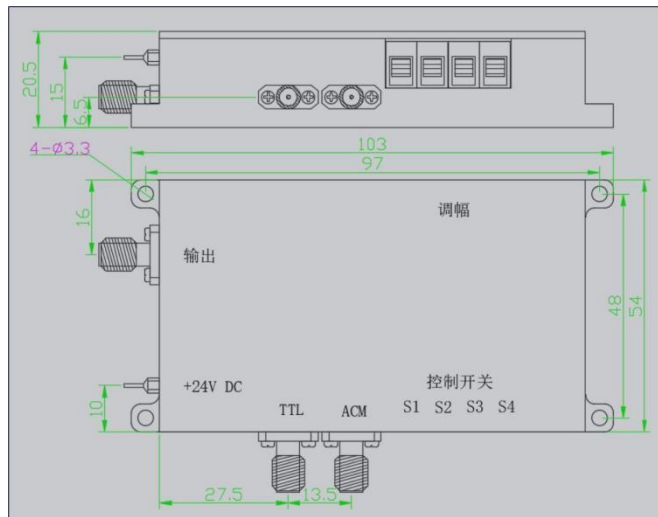
www.csrayzer.com

Email:

AOM Package Dimensions



RF Driver Package Dimensions



Ordering Information

AOM-①-②-③-④-⑤-⑥-⑦

1-Signal Wavelength	2-Fiber Jacket	3-Fiber Type	4-Connector
1550-1550nm	0-Bare Fiber	PM1550-PM1550	N-None Connector
	1-900 μ m Loose Tube		FU-FC/PC
			FA-FC/APC

5-Handling Power	6-Fiber Length	7- Frequency
05-500mW	1-1M	150-150Mhz
10-1W	1.5-1.5M	

Tel: +86 027 -

Website www.csrayzer.com

Email:

50-5W		
Draft:	Reviewer:	Approver: